

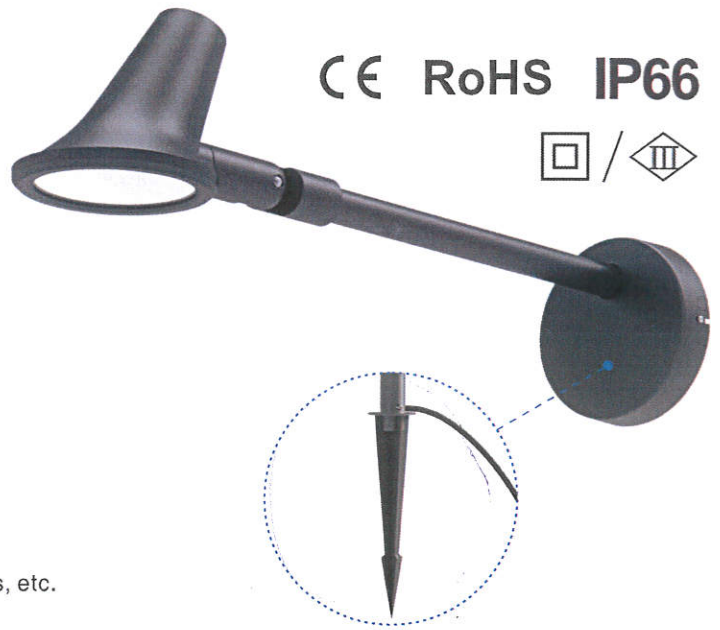
# SPECIFICATION

**Product:** F20 Floodlight

**Part No.:** F20A16S / F20B16S / F20C16S / F20C16S-DC  
 F20A16H / F20B16H / F20C16H / F20C16H-DC

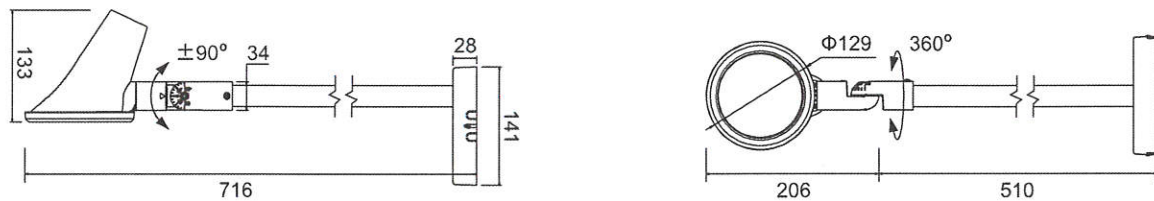
## 1. Main Features

- An integrated solution for floodlight and Arm (Spike).
- Beam angle: 130x50°(asymmetric)/ 120°(symmetric).
- System efficiency up to 130~150lm/W.
- Class II , reinforced insulation design, /Class III, safety voltage design.
- ADC12 die-casting Al body, stainless steel screws, good corrosion resistance.
- Easy installation and maintenance.
- 5 years warranty / 3 years warranty(DC).
- Suitable for general lighting and decoration lighting, such as Garden/Building decoration, Billboard, Warehouse, Gymnasiums, Gas stations, Toll stations, etc.

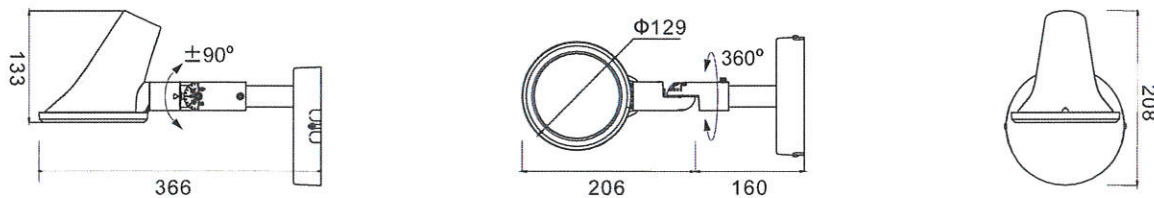


## 2. Dimension (Unit: mm)

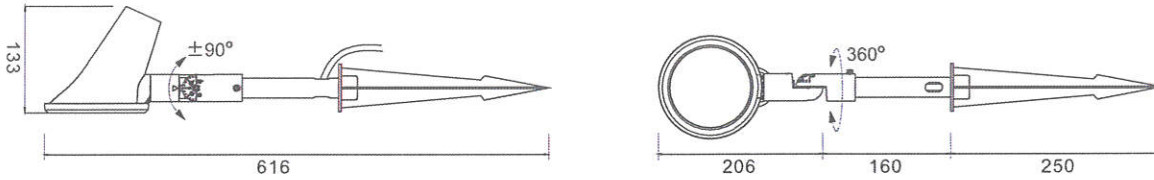
### F20A Series



### F20B Series



F20C Series



### 3. Technical Data

Model No.	F20A16S, F20B16S, F20C16S	F20A16H, F20B16H, F20C16H
Light Source	32x Luxeon 3030	40x Luxeon 3030
Input Voltage (V)	100-240VAC 50/60Hz	100-240VAC 50/60Hz
LED Power (W)	13-14.4	13-14.4
System Power (W)	15.2-16.8	15.2-16.8
Power Factor	0.9	0.9
Luminous flux (lm)	1,860-2,000	2,170-2,250
System Efficiency (lm/W)	120-130	140-150
Color Temperature (K)	3000/4000/5700	3000/4000/5700
CRI	>70	>70
Beam Angle	130°x 50°(Asymmetric)	120°
Optical cover	PC Lens + Foggy glass	Clear glass
THD (230VAC)	<20%	<20%
Classification	Class II	Class II
Working Temperature(°C)	-20 to +50	-20 to +50
Working Humidity(RH%)	10-90	10-90
Safety Standards	EN 60598-2-5:2015; EN 60598-1:2015+A1:2018; EN 62493:2015 AS/NZS 60598.2.5: 2018 with AS/NZS 60598.1: 2017	
EMC Standards	EN IEC 55015:2019; EN 61547:2009; EN IEC 61000-3-2:2019; EN 61000-3-3:2013+A1:2019	
Photobiological Safety	EN 62471 : 2008	

### 3. Technical Data

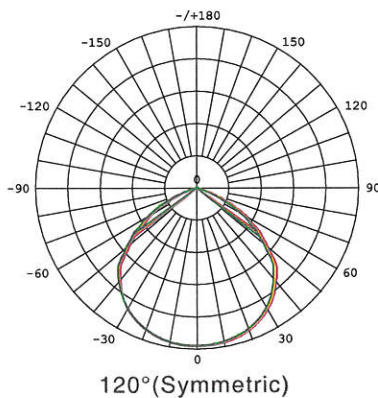
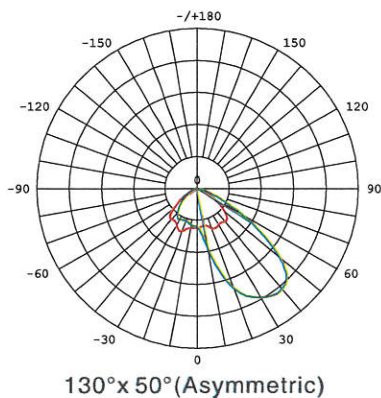
Model No.	F20C16S-DC	F20C16H-DC
Light Source	30x Luxeon 3030	42x Luxeon 3030
Input Voltage (V)	12/24V DC	12/24V DC
LED Power (W)	13-14.4	13-14.4
System Power (W)	15.2-16.8	15.2-16.8
Luminous flux (lm)	1,860-2,000	2,170-2,250
System Efficiency (lm/W)	120-130	140-150
Color Temperature (K)	3000/4000/5700	3000/4000/5700
CRI	>70	>70
Beam Angle	130°x 50°(Asymmetric)	120°
Optical cover	PC Lens + Foggy glass	Clear glass
Classification	Class III	Class III
Working Temperature(°C)	-20 to +50	-20 to +50
Working Humidity(RH%)	10-90	10-90
EMC Standards	EN IEC 55015:2019; EN 61547:2009; EN IEC 61000-3-2:2019; EN 61000-3-3:2013+A1:2019	
Photobiological Safety	EN 62471 : 2008	

### Package

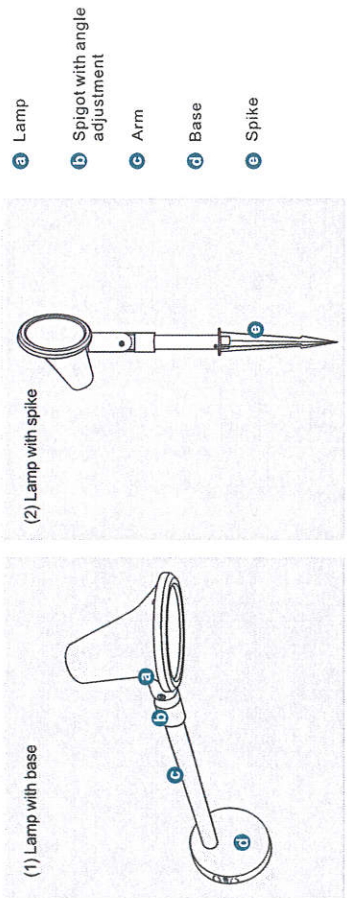
Model	Inner Box(mm)	Outer Box(cm)	Net weight(Kg)
F20A series	762*182*185	78*39*40.5(4pcs/CTN)	1.6
F20B series	452*182*185	47*39*40.5(4pcs/CTN)	1.3
F20C series	452*182*185	47*39*40.5(4pcs/CTN)	1.0

### 4. Luminous Intensity Distribution Diagram

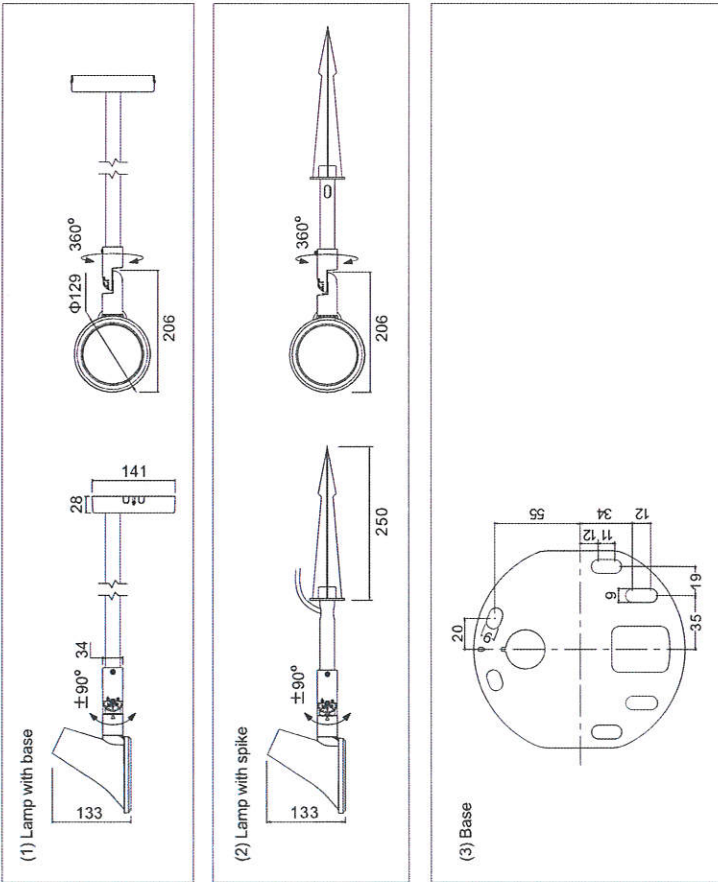
For the IES file, please contact us by E-mail.



# INSTALLATION INSTRUCTION

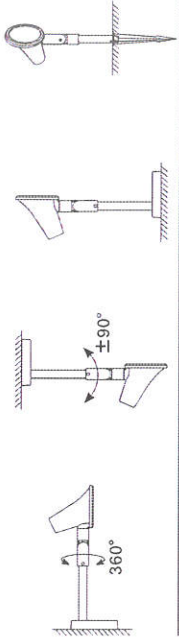


**1. Dimensions** (Unit: mm)  
Please confirm the length of arm before placing orders.



## 2. Installation position

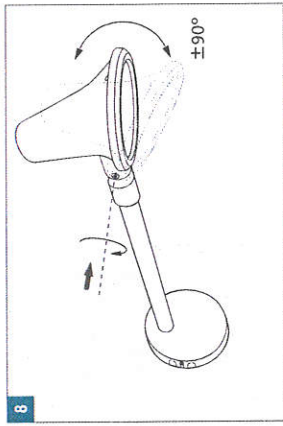
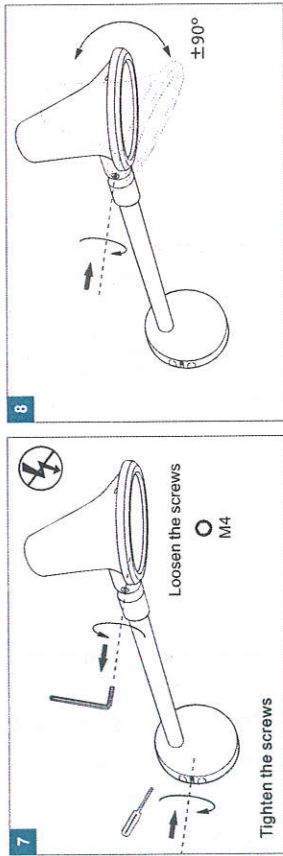
Floodlight can be installed on the wall, ceiling or on a horizontal surface.



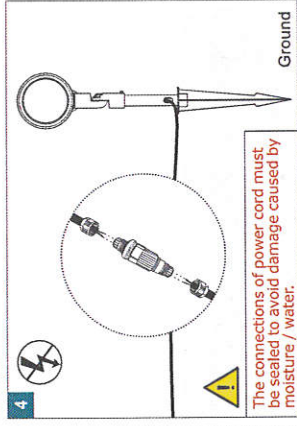
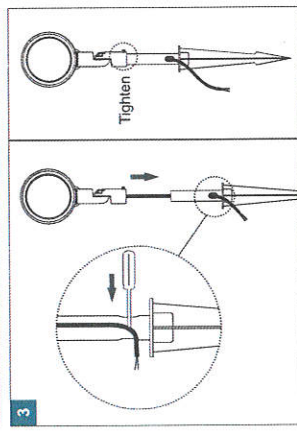
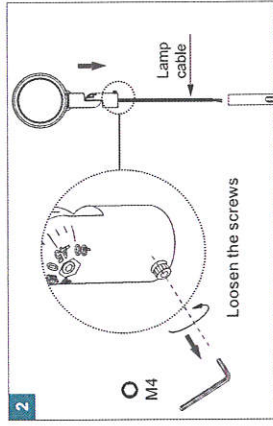
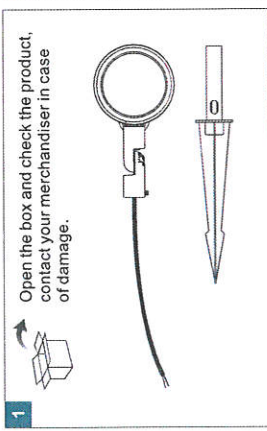
## 3. Installation Steps

(1) Lamp with base

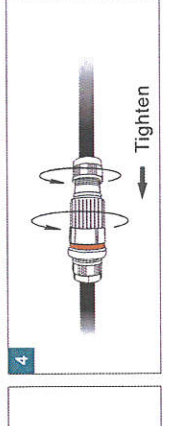
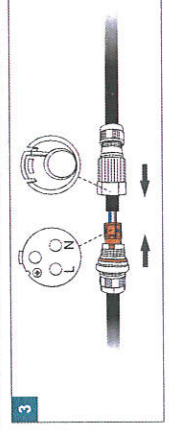
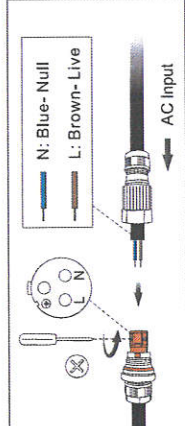
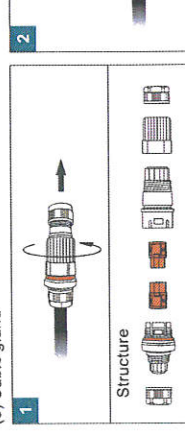
- Open the box and check the product, contact your merchandiser in case of damage.
- Remove the EVA after drilling the hole.
- Loosen the screws
- Y connector optional
- The connections of power cord must be sealed to avoid damage caused by moisture / water.
- The connections of power cord must be sealed to avoid damage caused by moisture / water.



(2) Lamp with spike

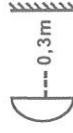


(3) Cable gland



**⚠ 4. Caution:**

1. Terminal block not included. Installation and maintenance must be performed by qualified person.
2. The light source of this luminaire is not replaceable; when the light source reaches its end of life the whole luminaire shall be replaced.
3. If the external flexible cable or cord of this luminaire is damaged, it shall be exclusively replaced by the manufacturer or his service agent or a similar qualified person in order to avoid a hazard.
4. Please make sure the lamp is working with correct input voltage.
5. Do not use chemicals or corrosive cleaner to clean the fixture.
6. The minimum distance from lighted objects to luminaires shall be kept at least 0.3m.
7. Broken Glass must be replaced by certified technician.



**5. Utilization of used lamps**

LED lamps must be disposed of in accordance with current regulations concerning environmental protection. Used lamps should be returned to the applicable collection point, where they will be accepted free of charge. Proper utilization of equipment enables preserving valuable environmental resources and avoiding adverse impacts on health and the environment, which may be threatened by inappropriate waste handling.

